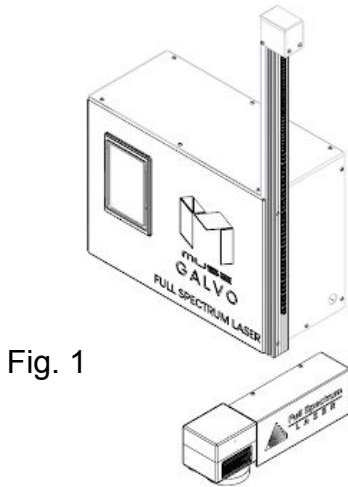


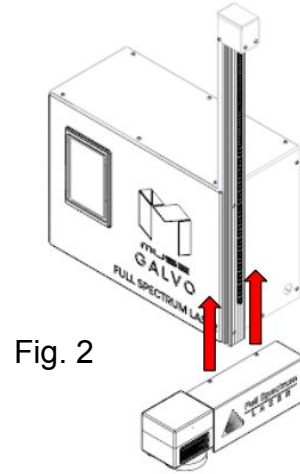
# Fiber Galvo Assembly

**Warning! The Muse Galvo has a weight that exceeds 50lbs . It is recommended to carry the product with at least 2 people to avoid injury.**

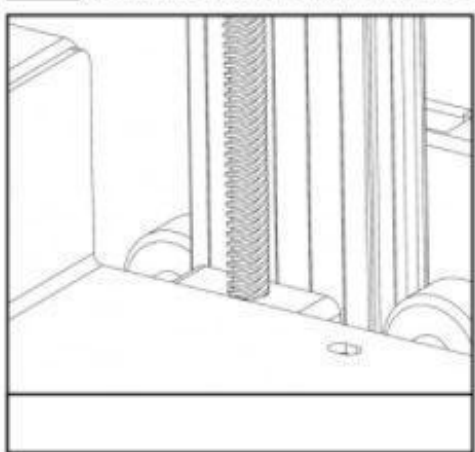
1. Place on the edge of a table with long side facing outward.



2. The scanhead (rectangular section) will be inserted bottom up. Make sure the wheels are lined up with the track.



3. When rail is reached, manually align the rail opening and fasten them together until the scanhead is secure.



4. Once done you may flip the power switch for your Galvo. If done properly the scan head will moved up into the home position