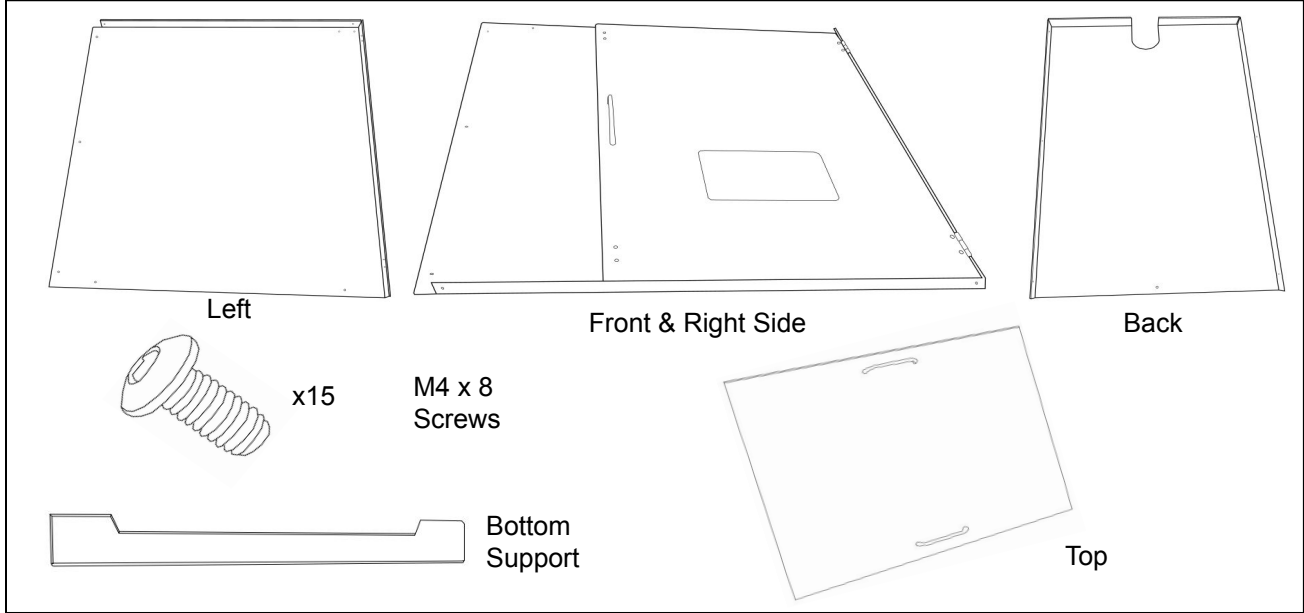


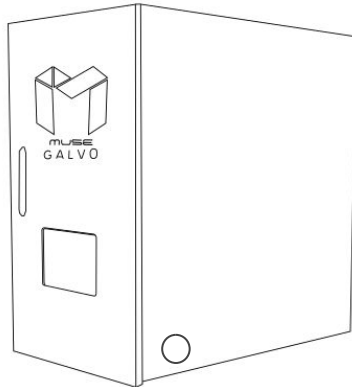
# GALVO ENCLOSURE ASSEMBLY

Parts:

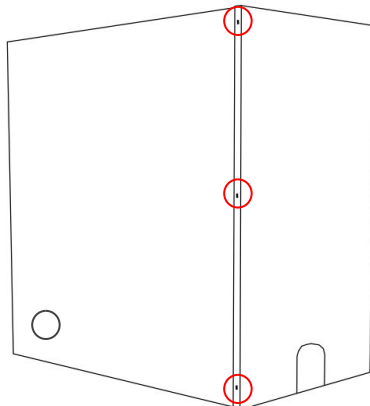


Assembly Instructions:

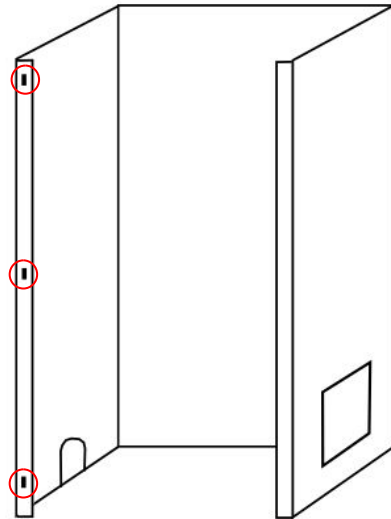
1. Open the Front and Right panels so that the hinges form a 90° angle.



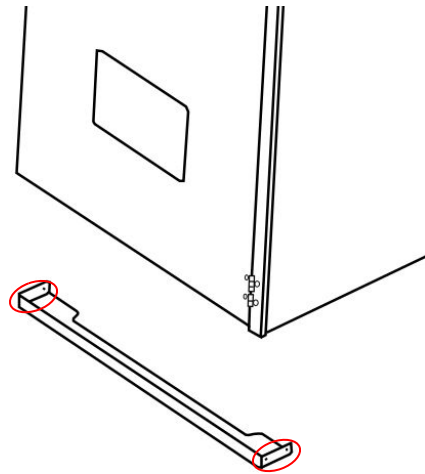
2. Attach the Back to the Right side using three M4 x 8 screws.



3. Attach the Left side to the back using three screws.



4. Connect the Bottom Support to front side of Enclosure using 4 screws, two on each side.



5. Attach the Top to the Enclosure using the remaining 5 screws.

